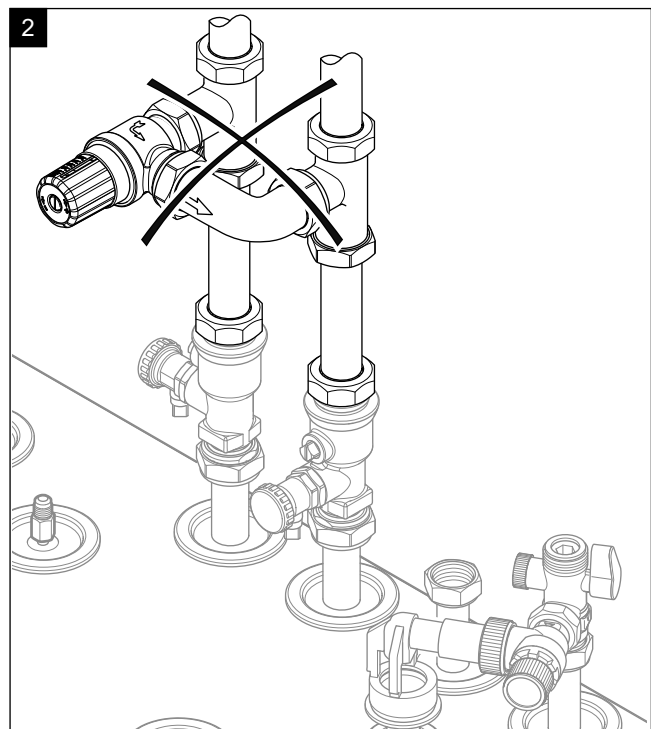
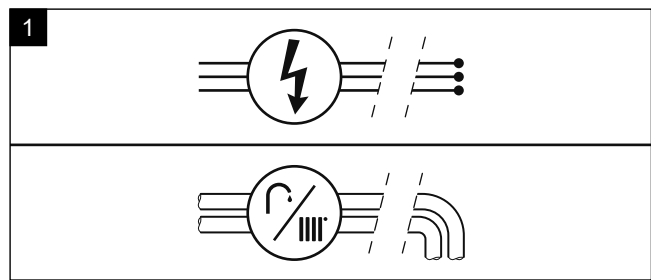
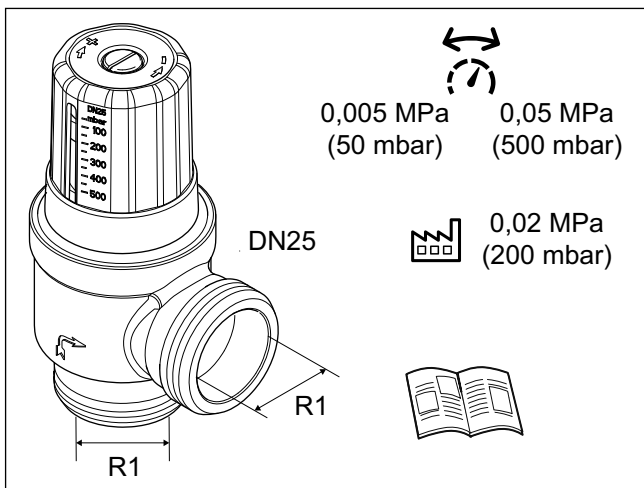
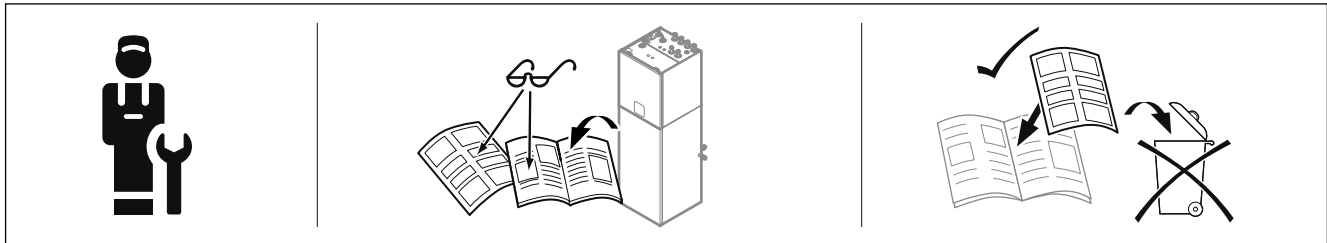
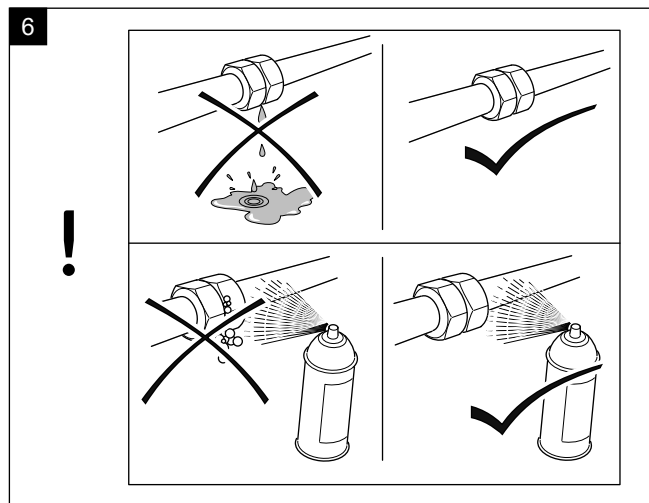
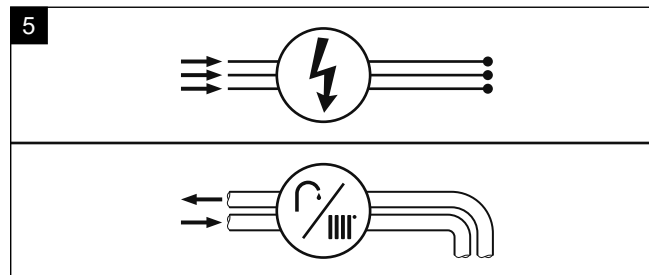
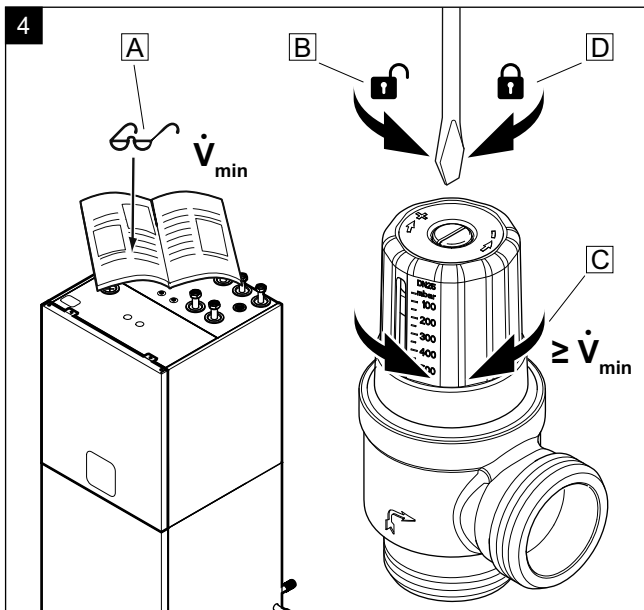
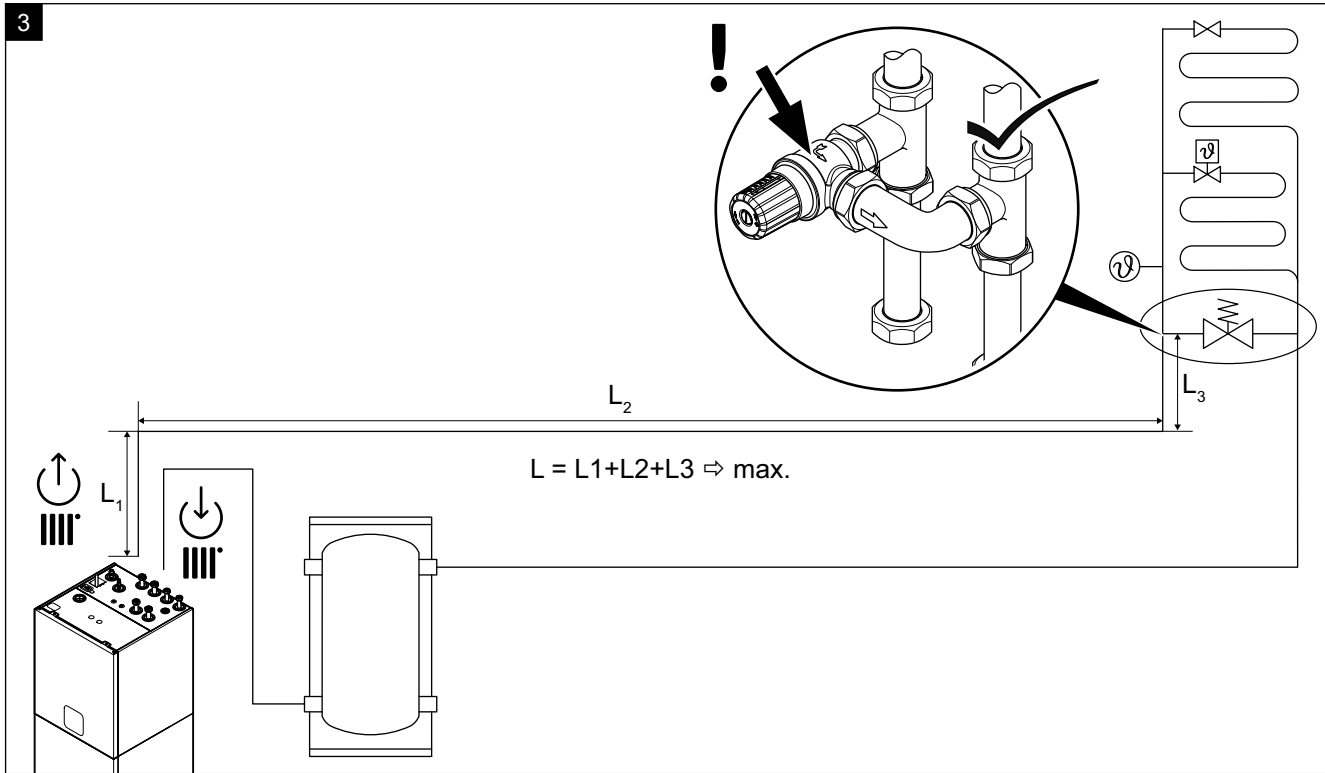


0010039715





Manufacturer

**Vaillant GmbH**

Berghauser Str.40 ■ D-42859 Remscheid  
 Telefon 021 91 18-0 ■ Telefax 021 91 18-28 10  
 info@vaillant.de ■ www.vaillant.de



0020312699\_00 ■ 062021 - Subject to technical modifications.