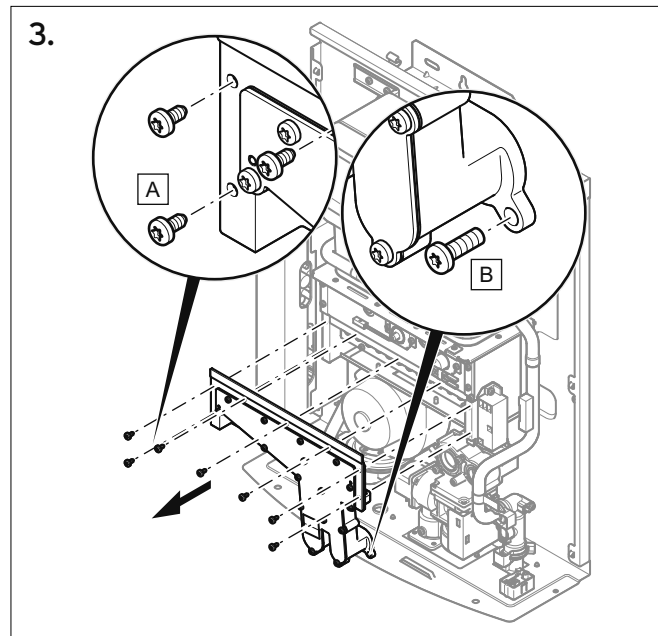
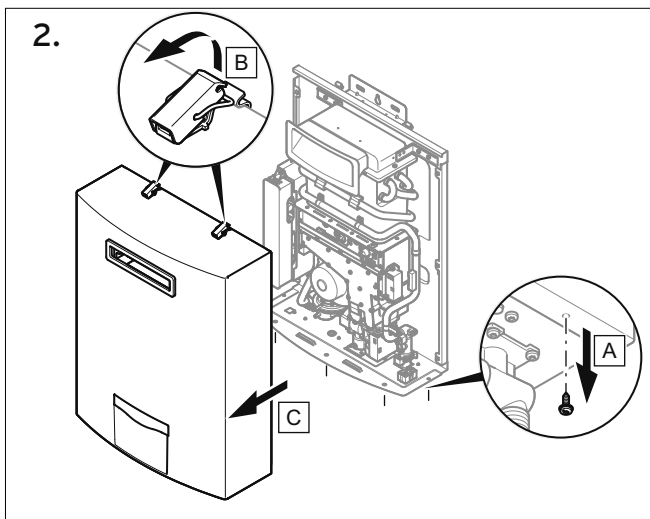
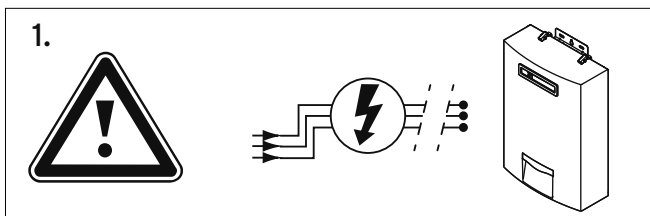
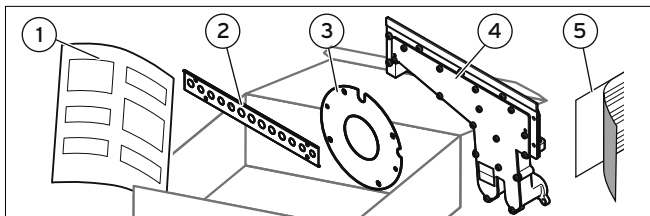
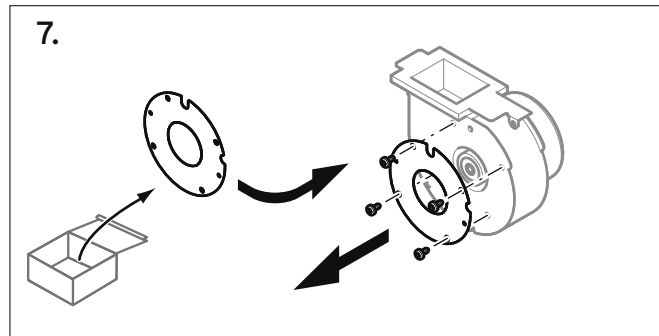
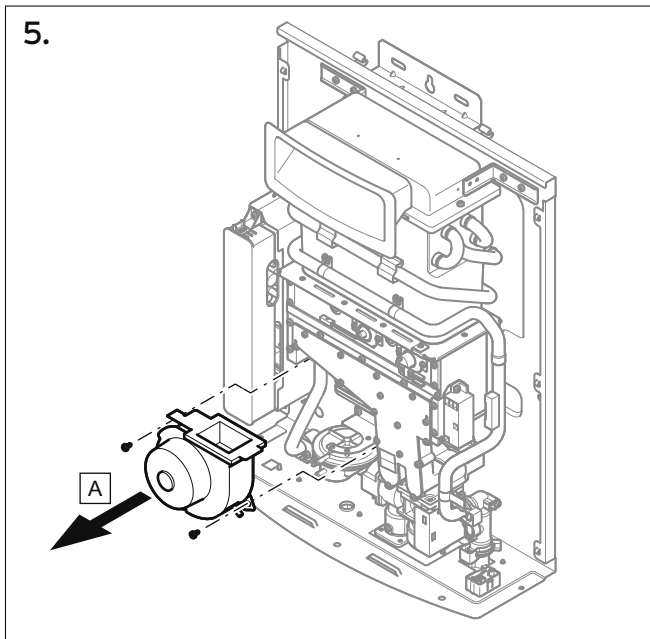
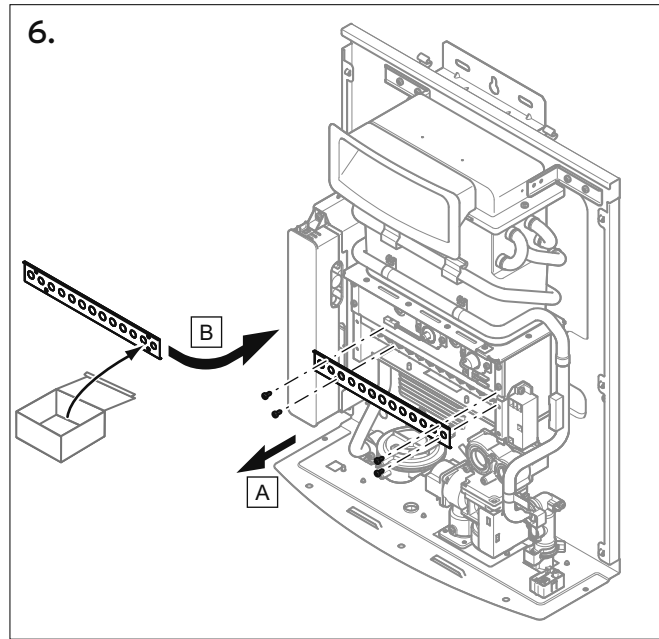
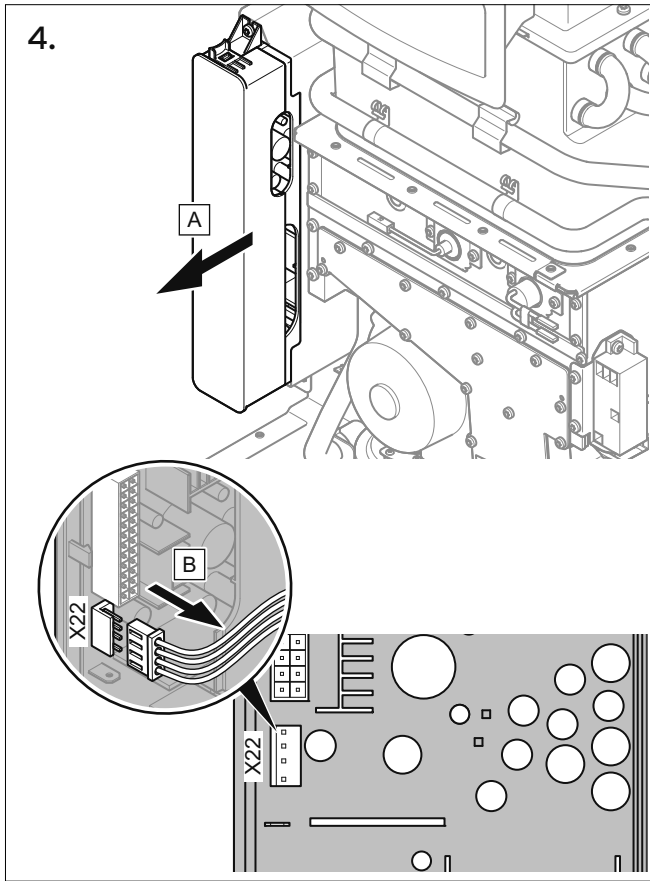


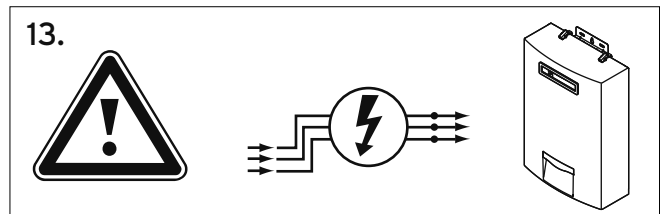
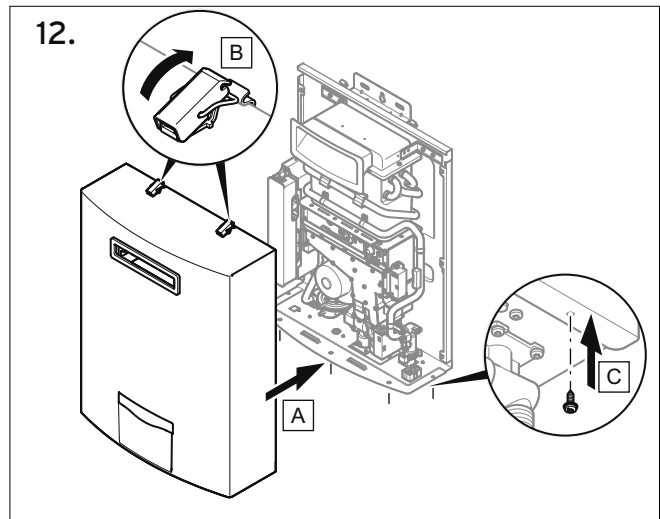
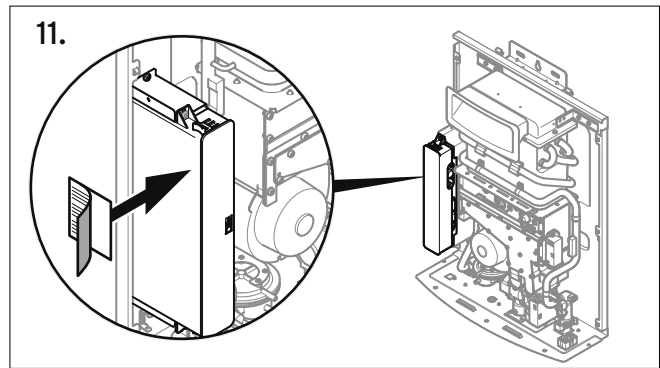
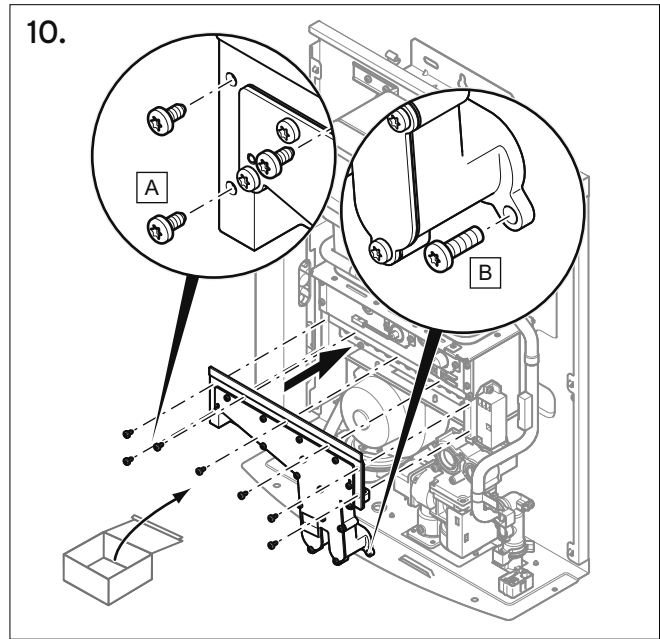
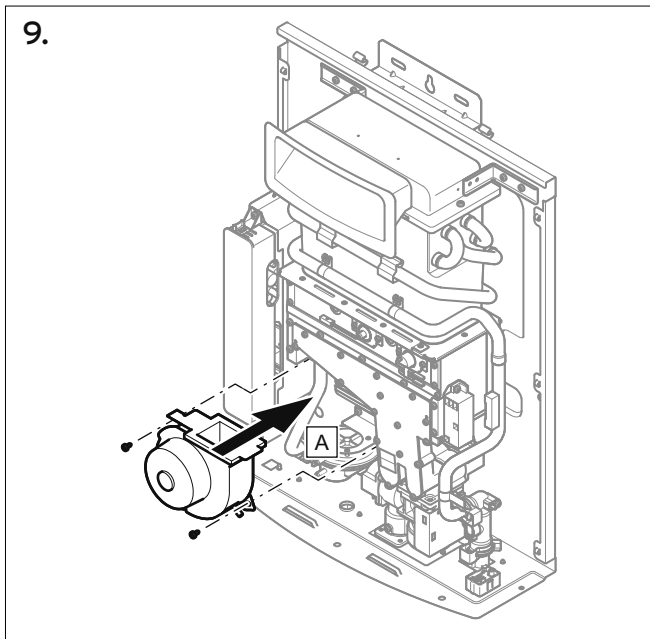
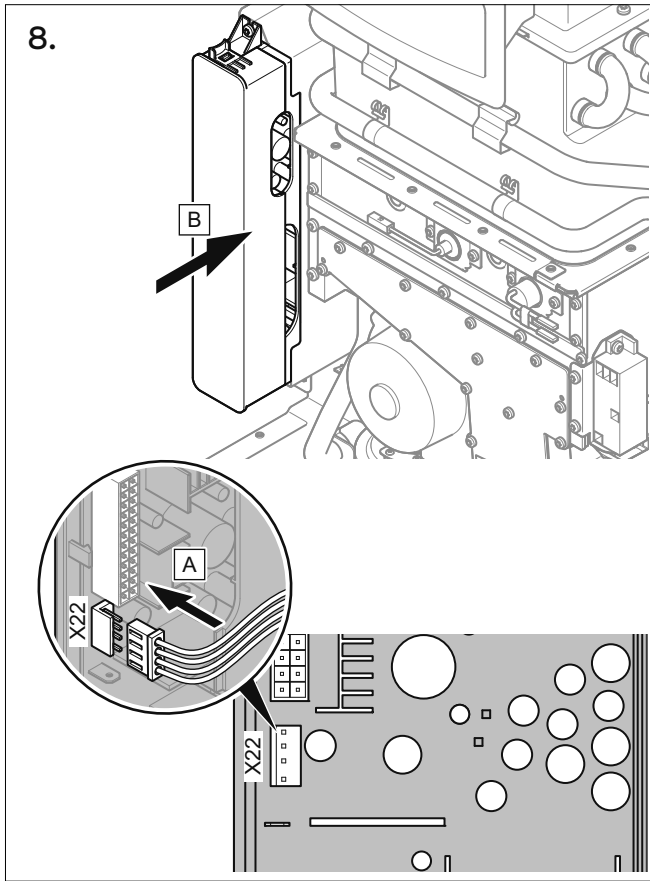
0020250173

Supplement

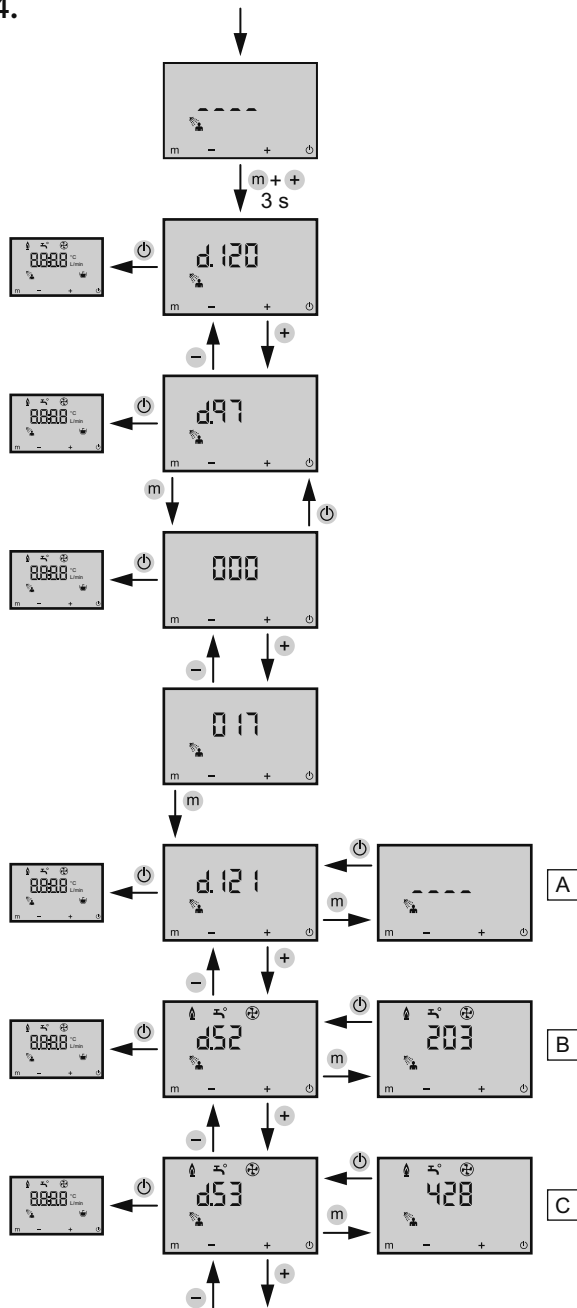




	∅
outsideMAG IT 11-5/0-5 BETeV H	32
outsideMAG IT 14-5/0-5 BETeV H	36
outsideMAG IT 16-5/1-5 BETeV H	42
outsideMAG IT 11-5/0 -5 BETeV B	32
outsideMAG IT 14-5/0 -5 BETeV B	36
outsideMAG IT 16-5/1 -5 BETeV B	42



14.



A		
d.121		
G20	outsideMAG IT 11-5/0-5 BETeV H	1110
	outsideMAG IT 14-5/0-5 BETeV H	1410
	outsideMAG IT 16-5/1-5 BETeV H	1610
G31	outsideMAG IT 11-5/0 -5 BETeV B	1120
	outsideMAG IT 14-5/0 -5 BETeV B	1420
	outsideMAG IT 16-5/1 -5 BETeV B	1620

B	
d.52	
outsideMAG IT 11-5/0-5 BETeV H	0,250 kPa (2,50 mbar)
outsideMAG IT 14-5/0-5 BETeV H	0,210 kPa (2,10 mbar)
outsideMAG IT 16-5/1-5 BETeV H	0,230 kPa (2,30 mbar)
outsideMAG IT 11-5/0 -5 BETeV B	0,400 kPa (4,00 mbar)
outsideMAG IT 14-5/0 -5 BETeV B	0,310 kPa (3,10 mbar)
outsideMAG IT 16-5/1 -5 BETeV B	0,310 kPa (3,10 mbar)

C	
d.53	
outsideMAG IT 11-5/0-5 BETeV H	0,860 kPa (8,60 mbar)
outsideMAG IT 14-5/0-5 BETeV H	0,790 kPa (7,90 mbar)
outsideMAG IT 16-5/1-5 BETeV H	0,840 kPa (8,40 mbar)
outsideMAG IT 11-5/0 -5 BETeV B	0,970 kPa (9,70 mbar)
outsideMAG IT 14-5/0 -5 BETeV B	0,840 kPa (8,40 mbar)
outsideMAG IT 16-5/1 -5 BETeV B	0,860 kPa (8,60 mbar)

Manufacturer

Vaillant GmbH
 Berghauser Str. 40 ■ D-42859 Remscheid ■ Telefon 0 21 91/18-0
 Telefax 0 21 91/18-28 10 ■ www.vaillant.de ■ info@vaillant.de



0020250173_01